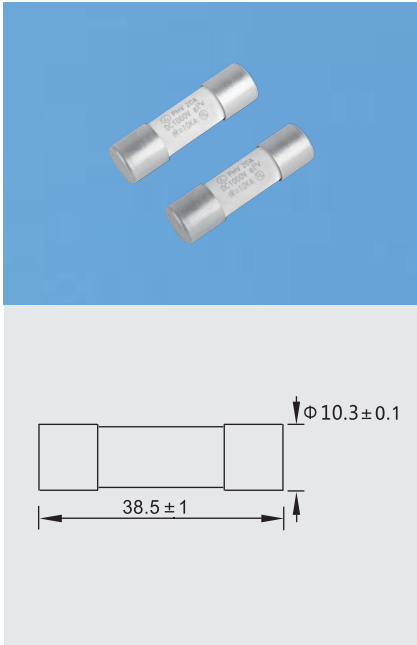




PHV $\Phi 10 \times 38$ Photovoltaic Fuse

光伏保险丝管 Photovoltaic Fuse 1000V



测试标准:
Testing Standard:
 UL248-19

额定分断能力:
Interrupting Rating:
 UL10K Amperes at 1000V DC
 IEC33K Amperes at 1000VDC

工作温度:
Operating Temperature:
 -55°C ~ +125°C

材料:
Materials:
 End cap: silver plating
 Ceramic tube: ceramic

电气特性: Electrical Characteristics

额定电流的% % of Ampere Rating	熔断时间 Opening Time
100%	4 hours Min
135%	60 Minutes Max
200%	120s Max

目录编号: Catalog No.M:1000V

目录编号 Catalog No.	额定电流 Ampere Rating	额定电压 Voltage Rating	功耗 POWER Loss	熔化热能 ² T Melting Integral (A ² .S)	认证 Approvals
					● 表示已获认证 ● 表示认证中
PHV1100M	1A	1000V	1.3	0.4	●
PHV1200M	2A	1000V	1.1	3.4	●
PHV1300M	3A	1000V	1.3	12	●
PHV1350M	3.5A	1000V	1.4	20	●
PHV1400M	4A	1000V	1.5	28	●
PHV1500M	5A	1000V	1.6	50	●
PHV1600M	6A	1000V	1.8	93	●
PHV1800M	8A	1000V	2.2	33	●
PHV2100M	10A	1000V	2.4	70	●
PHV2120M	12A	1000V	2.9	200	●
PHV2150M	15A	1000V	3.0	230	●
PHV2200M	20A	1000V	3.5	330	●
PHV2250M	25A	1000V	4.2	500	●
PHV2300M	30A	1000V	5.6	2500	●

Time-Current Characteristics
时间-电流曲线

